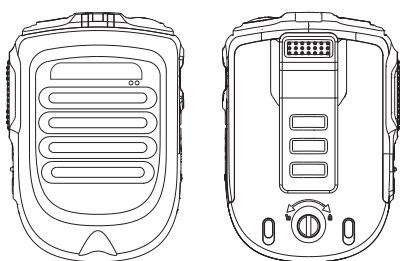


Bluetooth Microphone USER GUIDE

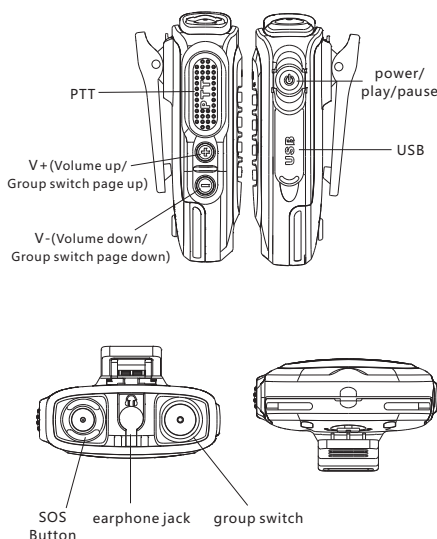
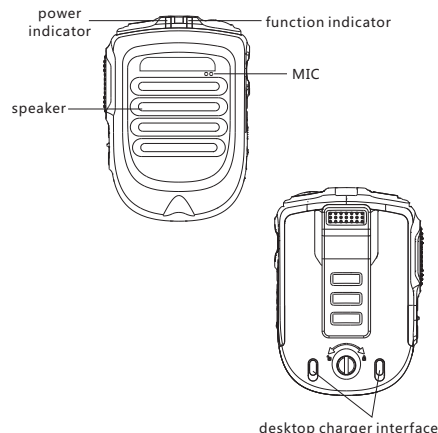


Android/IOS

1. Description

Bluetooth microphone is a kind of professional intercom equipment, by connecting APP of smart phone or network radio, providing truly secure link, easy pairing on the go, and instant push-to-talk. The Bluetooth microphone, as wireless accessory, is flexible and cost-effective that gives users more mobility in their critical communication.

2. Overviews of the Bluetooth Microphone



3. Specification

Bluetooth version	BT4.2
Bluetooth protocol	HFP;HSP;A2DP;AVRCP;SPP
Transmission range	>10m
Music	>12hrs in maximum volume
Talking time	≈14hrs
PTT time	≈14hrs
Standby time	>90hrs
Working temperature	-10~50°C
Storage temperature	-25~60°C
Earphone jack	3.5mm,PTT supportive
Battery	2000mA/3.7V
Charging time	2.5h

ON/OFF	Turn on	Press and hold for 3 sec.
	Turn off	Press and hold for 3 sec.
	Answer the call	Single click
	Hang up the call	Single click
	Decline	Double click
PTT	Push to Talk	Push to Talk
	Release to End	Release to End
Encryption	Encryption Type	To receive APP command when radio is on

4. Button function

Button	Description	Operation
SOS button	SOS	Press and hold for 2 sec.
group switch (valid in 30 sec.)	Group switch page up	Single click V+
	Group switch page down	Single click V-
V+	Volume up	Single click
V-	Volume down	Single click

5. LED indicator

Description	Power indicator (red light)	Description	Power indicator (green light)
Power on	Red light on for 3 seconds then off	Power on	Green light on for 3 seconds then off
Power off	Red light on for 3 seconds then off	Power off	Green light on for 3 seconds then off
Under charging	Red light on	Bluetooth match	Fast-blink
PTT calling	Red light on	PTT called	green light on
Low battery	Fast-blink	Full charged	green light on
SOS	green light on	Group Switch	green light on

6. Operation

- **Answer the call**
Press Power button to answer phone when Bluetooth microphone has been activated.
- **Decline**
Double click Power button to decline when there is call in.
- **Hang up the call**
Single click power button to hang up the call.
- **Mp3 play and pause**
Single click power button to play or pause MP3 music when connected.
- **Standby**
Auto hibernation starts in 15min. When Bluetooth microphone has not activated.
- **PTT function**
Bluetooth microphone supports PTT software such as Zello, Total control and etc. PTT button can be used when it is activated.
- **Group switch**
Single click group switch button with green light on and Single click V+/V- to switch group when Bluetooth microphone is activated for PTT software. End group switch by pressing PTT button.
- **SOS**
Press SOS button and hold for 2S when Bluetooth microphone is activated for PTT software. PTT starts after red light turns on and alarm goes off. It lasts for 20s.
- **Firmware upgrade**
For Bluetooth microphone firmware upgrade, TF card and download box are necessary. Corresponding software must be installed to burn the firmware to TF card. Please connect download box and Bluetooth microphone with USB cable. Press and hold the reset button (under the battery after opening the rear cover). Release reset button after the download box starts up. Successful download will be prompted in 10s.

7. FAQ

- **Failed to power on.**
It is probably low battery. Please charge for 2-3hrs.
- **No voice**
Please check if volume sets too low. Please set the switch properly.
- **Echo with speaker**
Speaker is too close to MIC. Please relocate the speaker.
- **Disconnected with mobile phone.**
Low battery.
Distance between Bluetooth microphone and mobile phone is over 10m. Shielding obstacle interferes.
- **Failed to match with mobile phone.**
Clean up all matching information according to user guide. The Bluetooth microphone and the phone should be placed less than 1m and re-start the match.
- **System halted**
It may caused by high-strength radio frequency interference, such as GSM base station, airport radar and a high power TV transmission tower. Please reset and restart after leaving the interference source.
- **Abnormal working indicator**
A. Overuse or long period of non-use may cause low battery. It need to be charged for an hour and unplug and recharge.
B. Change a charging cable or charger.

FCC Warning

This device complies with Part 15 of the FCC Rules. Operation is subject to the following two conditions:

(1) This device may not cause harmful interference, and (2) this device must accept any interference received, including interference that may cause undesired operation.

NOTE 1: This equipment has been tested and found to comply with the limits for a Class B digital device, pursuant to part 15 of the FCC Rules. These limits are designed to provide reasonable protection against harmful interference in a residential installation. This equipment generates, uses and can radiate radio frequency energy and, if not installed and used in accordance with the instructions, may cause harmful interference to radio communications. However, there is no guarantee that interference will not occur in a particular installation. If this equipment does cause harmful interference to radio or television reception, which can be determined by turning the equipment off and on, the user is encouraged to try to correct the interference by one or more of the following measures:

- Reorient or relocate the receiving antenna.
- Increase the separation between the equipment and receiver.
- Connect the equipment into an outlet on a circuit different from that to which the receiver is connected.
- Consult the dealer or an experienced radio/TV technician for help.

NOTE 2: Any changes or modifications to this unit not expressly approved by the party responsible for compliance could void the user's authority to operate the equipment.